

**Aquascape**<sup>®</sup>

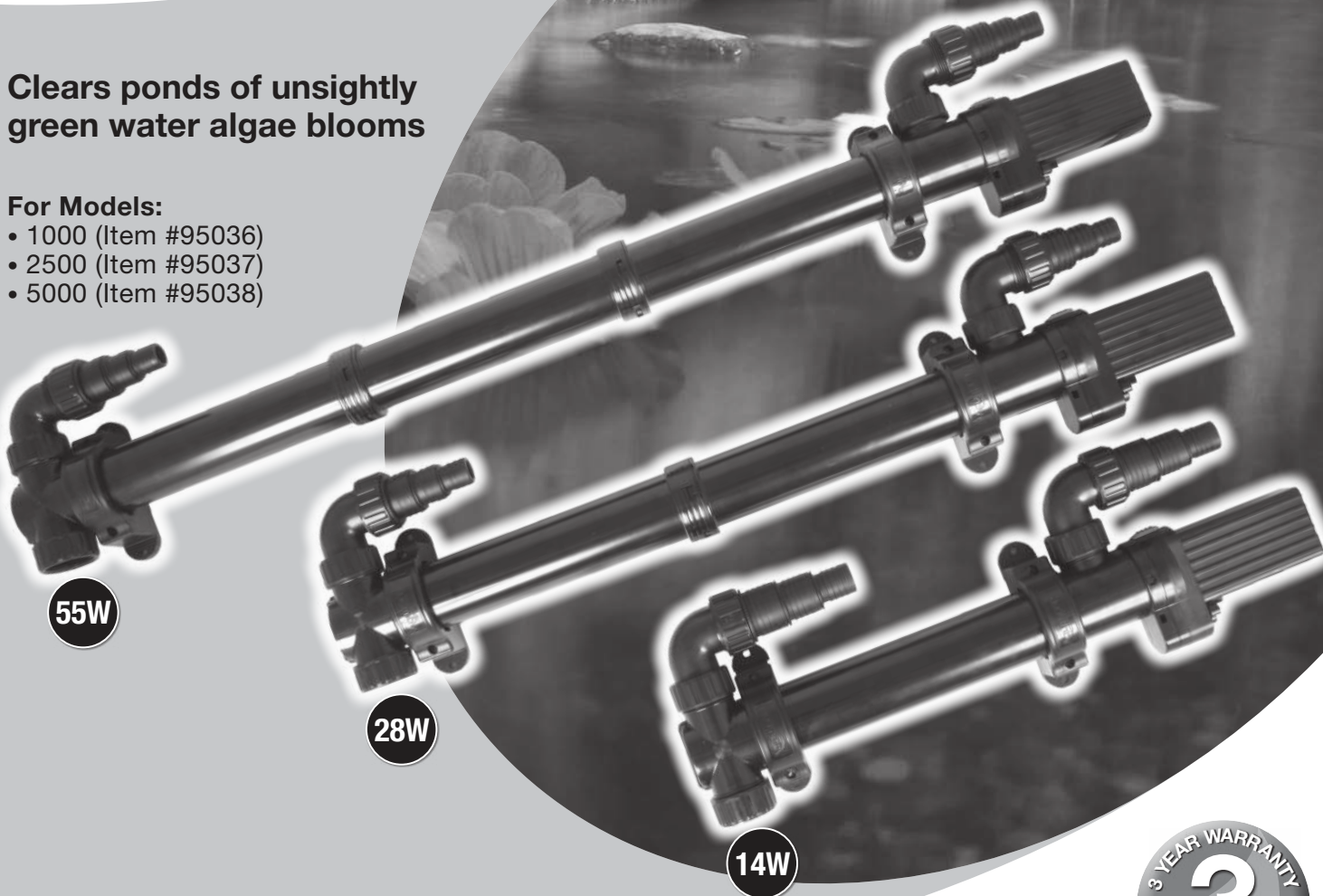
# ULTRAKLEAR<sup>®</sup>

## UV CLARIFIER

**Clears ponds of unsightly green water algae blooms**

**For Models:**

- 1000 (Item #95036)
- 2500 (Item #95037)
- 5000 (Item #95038)





# ULTRAKLEAR® UV CLARIFIER



**Thank you for choosing the UltraKlear® UV Clarifier.** At Aquascape, our goal is to supply our customers with the best valued products in water gardening. We hope you enjoy your purchase. Thank you for choosing Aquascape. *Your Paradise. Our Passion.®*



### 3 YEAR WARRANTY

The UltraKlear® UV Clarifier is guaranteed for three years from date of purchase. Proof of purchase required. Warranty does not cover damage resulting from negligent handling, misuse or lack of reasonable maintenance or care. Warranty is valid against defects due to material and the company's workmanship only. The sole obligation shall be to replace the defective unit with a suitable replacement unit. Units should be checked for proper operation prior to returning as defective. No liability for loss or damage of any nature or kind, whether arising out of or from the use of the product, whether defective or not defective, is assumed by Aquascape, Inc. or its affiliates. The warranty does not cover the UV lamp or Quartz Sleeve that may need to be replaced to optimize performance. See our Maintenance Section for care instructions and how to install replacement parts.

### CONTACT US

For more information about our company or products please visit our website at [www.aquascapeinc.com](http://www.aquascapeinc.com) or call (US) 1-866-877-6637 (CAN) 1-866-766-3426.

### TABLE OF CONTENTS

Introduction .....	3
Safety Information .....	3
Installation .....	4
Operation and Maintenance .....	7
Troubleshooting .....	10
Contents and Spare Parts .....	11



VISIT OUR WEBSITE



DOWNLOAD A FREE COPY OF OUR CATALOG

## INTRODUCTION

The Aquascape UltraKlear® UV Clarifier provides pond owners with a convenient and highly effective means to combat algae blooms, or “green water”, to achieve optimum water conditions and crystal-clear pond water. The UltraKlear® uses a technologically-advanced T5 high output UVC bulb, making it more efficient than traditional UV clarifiers. The UltraKlear® UV features a swirl sleeve that

helps direct the water around the UV bulb, creating more contact time and increasing UV efficiency up to 50% over traditional UV clarifiers.

This Instruction Manual will guide both your installation of this filter and recommended maintenance procedures to ensure long-term effectiveness.

## SAFETY INFORMATION



**WARNING: Risk of electric shock –**  
This filter has not been approved for use in swimming pool or marine areas.



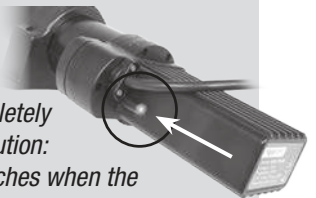
**WARNING: To provide continued protection against risk of electric shock, connect to properly grounded, ground fault circuit interrupter (GFCI) outlets only, using the following guidelines:**

- (A) This filter is weatherproof, but is not designed to be submersed in the water.
- (B) Have a qualified electrician install a properly grounded receptacle outlet, acceptable for outdoor use and protected from snow and rain. If possible locate the outlet or filter so the 20 ft. filter cord will reach the outlet without an extension cord.
- (C) Inspect cord for damage before using.
- (D) If an extension cord is required be sure it is rated for outdoor use.
- (E) Any wiring of pumps should be performed by a qualified electrician to ensure code compliance and user safety.
- (F) To reduce risk of electrical shock, all wiring and junction connections should be made per local codes. Requirements may vary depending on usage and location.

- (G) The power cable should be protected at all times to avoid punctures, cuts, bruises and abrasions.
- (H) Never handle power cords with wet hands.
- (I) Unplug filter at receptacle outlet when not in use.
- (J) Do not remove cord and strain relief. Do not connect conduit to filter.
- (K) Do not use power cable to lift the filter.



**WARNING: UV SAFETY –** A small indicator light on the ballast by the power cord will glow when the fixture is completely assembled and the UV light turned on. **Caution:** Never override the internal UV safety switches when the fixture is disassembled as this could activate the UV light. Direct exposure to UV light can damage the eyes and skin.



ULTRAKLEAR® UV CLARIFIER SPECS			
Model Number	1000	25000	5000
Item Number	#95036	#95037	#95038
Average Pond Size Recommendation	1,000 US gallons	2,500 US gallons	5,000 US gallons
Maximum Flow Rate	500 GPH	1,000 GPH	1,500 GPH
Wattage	14 W	28 W	55 W
Power Cord Length	20 ft	20 ft	20 ft
Discharge Hose Diameter	1", 1.25", 1.50"	1", 1.25", 1.50"	1", 1.25", 1.50"
Warranty	3-Year Limited	3-Year Limited	3-Year Limited

### ULTRAKLEAR® UV CLARIFIER SPECIFICATIONS

- Input voltage: 120V AC
- Input frequency: 60 Hz
- For outdoor or indoor use.
- This fixture has been evaluated for use with water only.

## INSTALLATION

- Use only in fully assembled state.
- The UV lamp and quartz sleeve are fragile. Please inspect for any signs of damage prior to installing.



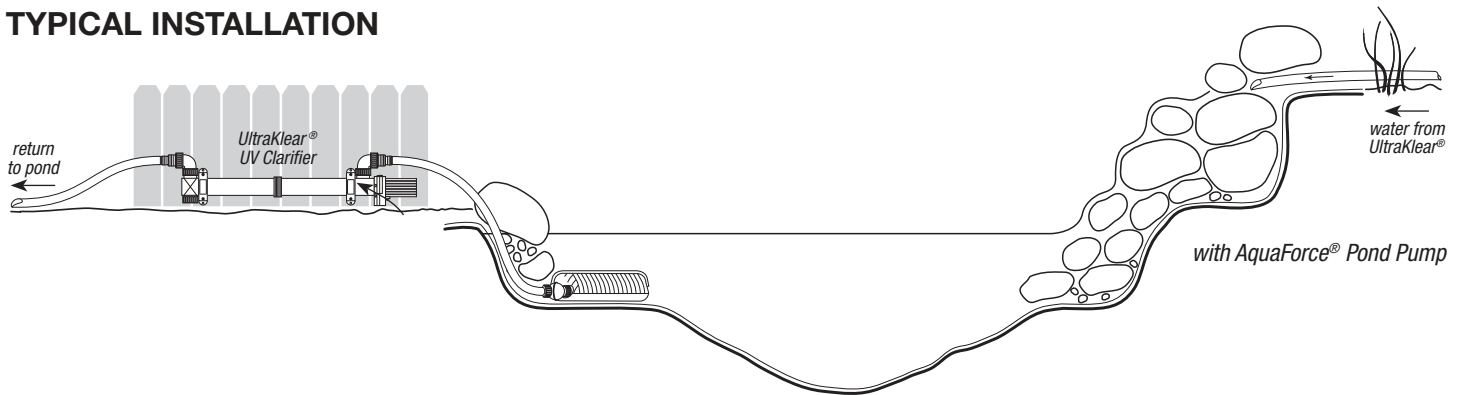
**NOTE:** Do not touch UV lamp with bare hands as the oil from skin may reduce the bulbs performance. Make sure there is no moisture inside the quartz sleeve or on the bulb prior to operating.

- The fixture is weatherproof, but is not designed to be submerged into the pond. Submerging the fixture could cause electric shock and will void the product warranty.
- If located in a freezing climate remove fixture during the winter, drain and store in a frost free location.

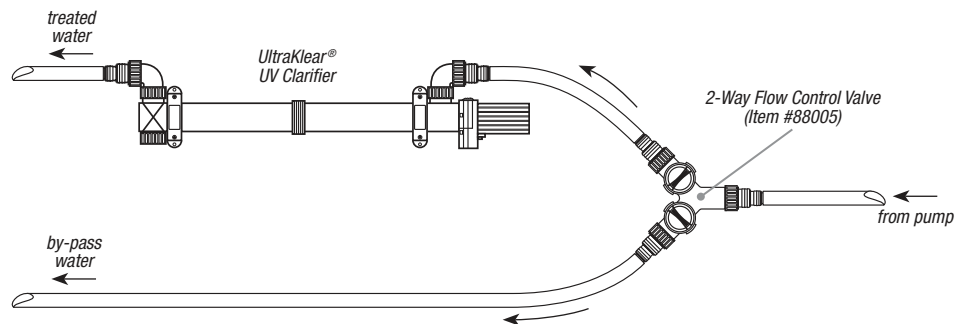
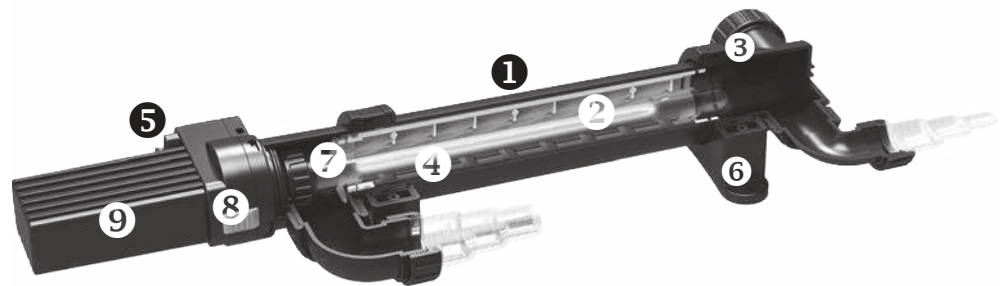


**IMPORTANT!** Aquascape, Inc. is not responsible for losses, injury, or death resulting from a failure to observe these safety precautions, misuse or abuse of filters, pumps or other equipment.

## TYPICAL INSTALLATION



- 1 Narrow contact chamber increases effectiveness of UV light
- 2 Internal sleeve increases contact time, thus increasing efficiency
- 3 Additional side water flow output allows for easier installation
- 4 High-output (HO) T5 bulb maximizes effectiveness
- 5 On/off indicator light provides quick verification
- 6 Mounting brackets make it simple to attach the unit to a vertical surface
- 7 High-quality quartz sleeve maximizes bulb output
- 8 Mechanical safety switch automatically turns off bulb when the ballast/bulb is removed
- 9 Electronic ballast ensures optimum wattage and bulb output



UltraKlear® Optional By-pass Plumbing



FOR MORE INFORMATION

- An optional 2-Way Flow Control Valve (#88005) can be used to make sure the water flow does not exceed the UltraKlear® Maximum Flow rate. Please refer to the UltraKlear® Specification Chart included in this manual for maximum flow rate recommendations.



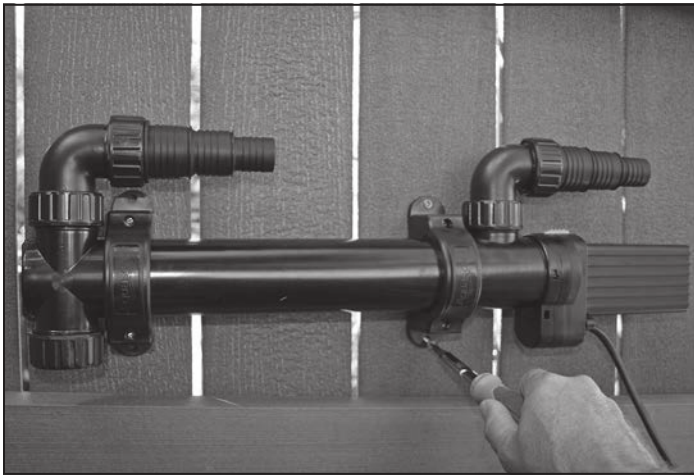
2-Way Flow Control Valve

- AquaForce® Solids-Handling Waterfall Pump is ideal for use with the UltraKlear® – The AquaForce® pre-filter cage allows for the pump to be submerged directly in the pond and improves UV efficiency by pre-filtering the larger debris from reaching the UltraKlear®. Other in-pond pump makes and models can also be used.

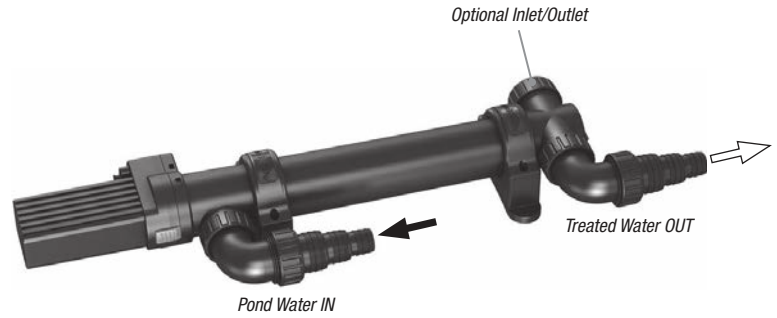


AquaForce® Pond Pump

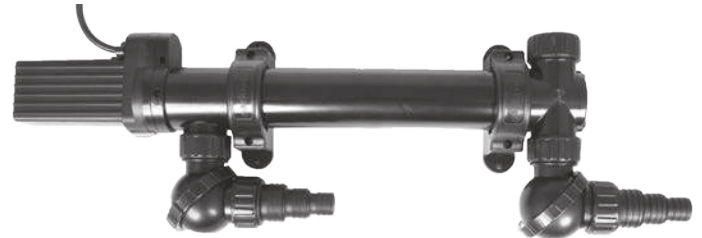
- The UltraKlear® is designed to be located outside the pond. We recommend placing it in a location that is easy to hide and access for maintenance. The UltraKlear® can be attached to a board and set on level ground or mounted using the four screw holes in the support saddles as shown here.



- The UltraKlear® includes three plumbing ports:
  - In – Pipe from pump (Can use either end port as pond water “In”).
  - Out – Pipe back to pond (Use opposite end port for discharge back to pond).
  - Optional Inlet/Outlet to assist with installation and pipe routing.



- The 90° elbow fittings and Locking Rotational Ball fittings allow 360° directional movement to accommodate the plumbing configuration desired or the Multi-Hose Adapters can be mounted directly onto the UltraKlear® fixture as shown below.



UltraKlear® with Rotational Ball fittings and Multi-Hose Adapters

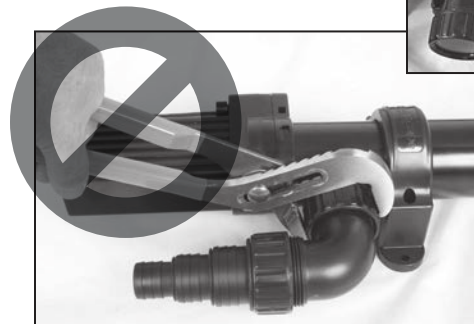


Multi-Hose Adapters mounted directly to UltraKlear®



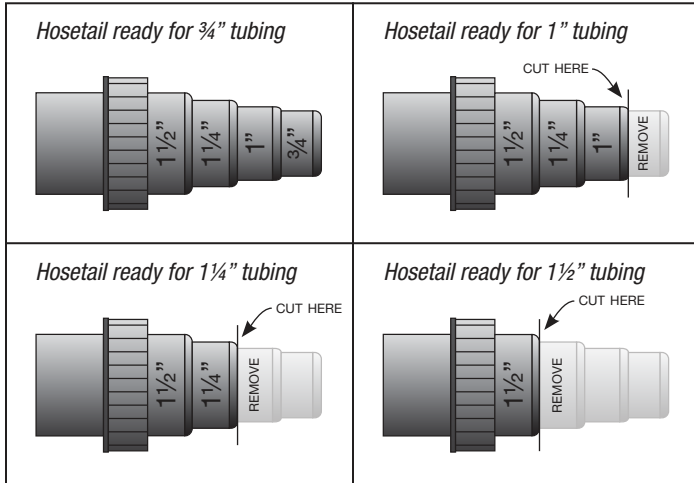
Rotational Ball fittings

- Fittings should be hand-tightened only and be installed with the flat rubber gaskets to achieve leak-free seals.

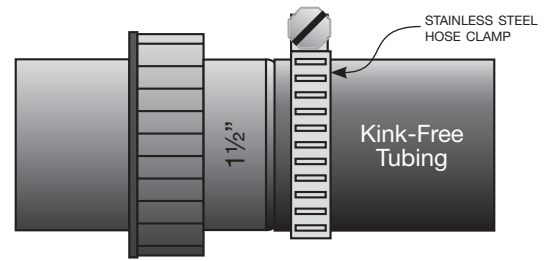


**NOTE:** Do not use tools to attach the fittings.

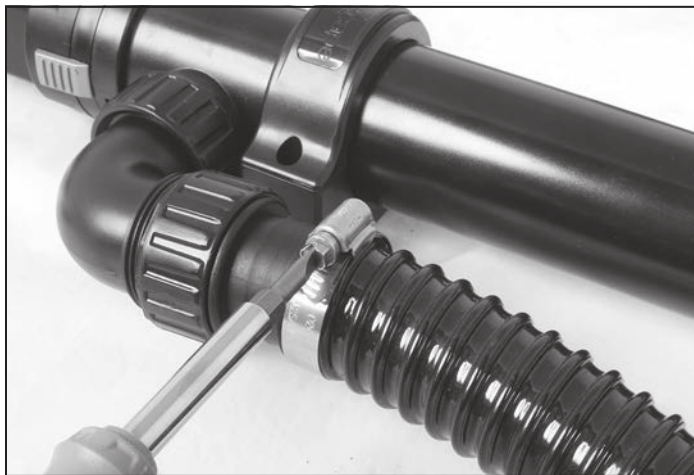
- Select the Multi-Hose Adapter based on the diameter of the tubing you are using. It is recommended to use as large of a diameter of tubing as possible (up to 1 1/2 inch diameter) in order to achieve maximum water flows.
- If using a diameter pipe larger than the smallest section of the Multi-Hose Adapter, trim off the smaller sections to avoid any flow restriction.



- We recommend using a hose clamp (not included) to secure tubing onto the fitting.



*Installation of stainless steel hose clamp*



- After connecting the plumbing plug the pump and the UltraKlear® fixture to an outlet that is protected by a ground fault interrupter (GFI). Once the pump is running and water is circulating through the UltraKlear® fixture, check for any fitting leaks where the external connections

are made. Since the filter is located outside the pond even a small leak must be corrected. Check the UV indicator to confirm that the UV light is "On" inside the UltraKlear® fixture.

## OPERATION AND MAINTENANCE

The UltraKlear® UV Clarifier eliminates single-celled algae commonly referred to as green water. For most ponds the process should take approximately 1 week, however significant algae blooms may take 2-3 weeks to clear.

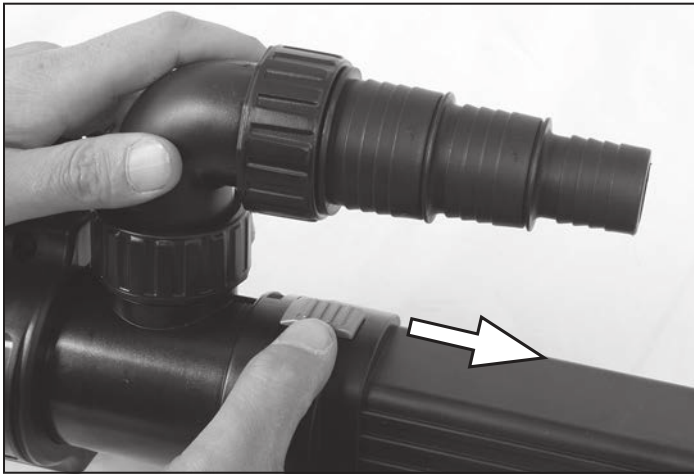
- **Bulb life** – For effective clarification the UV bulb should be replaced after 12 months of continuous use. *NOTE: Even though the UV bulb still emits light it may have lost*

*its effectiveness at clarifying if the recommended operating time has been exceeded.*

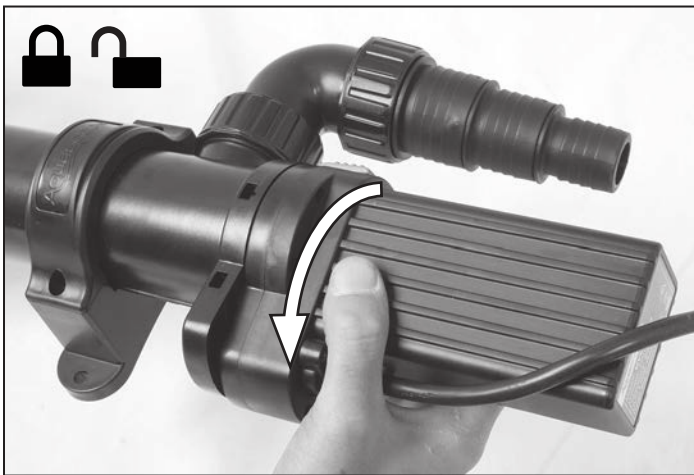
- **Cleaning/Replacing the quartz tube and UV bulb** – A dirty quartz tube will reduce the effectiveness of the UV bulb. Debris and mineral deposits can be cleaned using a mild acid like white vinegar or a non-abrasive calcium, lime or rust remover with a soft bristled brush or sponge.

### TO ACCESS THE QUARTZ TUBE

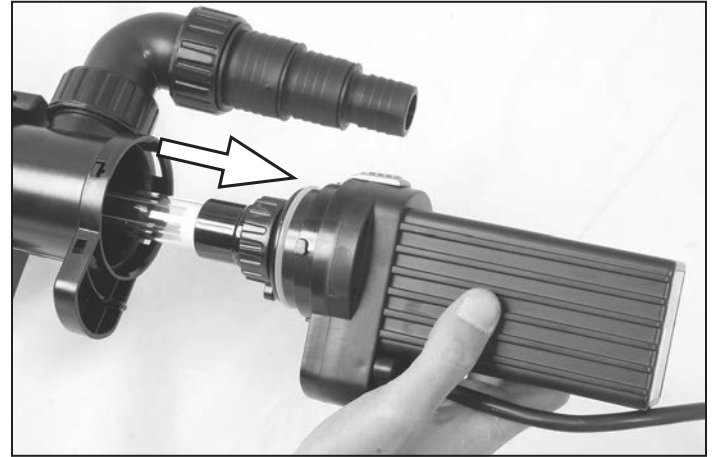
1. Always unplug both the pump and the UltraKlear® UV Clarifier before servicing.
2. Release the latch tab by pulling/pushing it towards the ballast about 1/4".



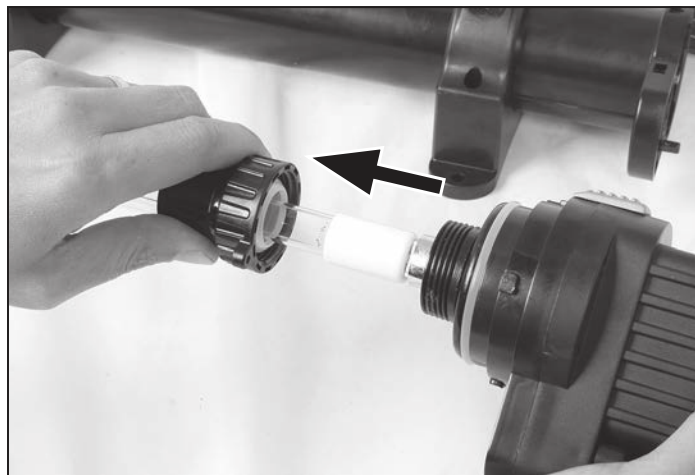
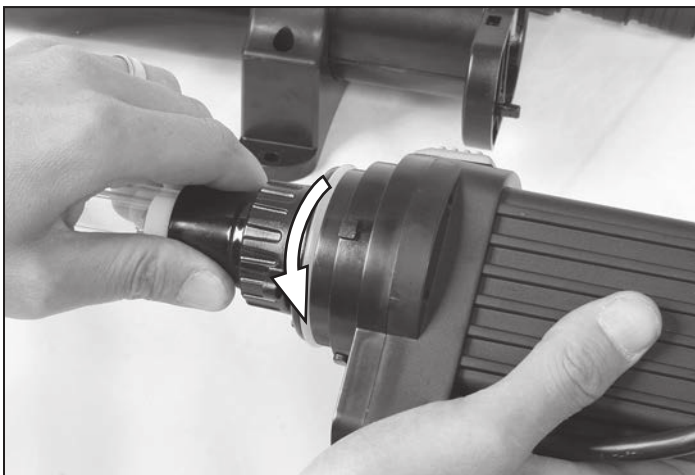
3. Rotate the ballast counter-clockwise about 1/2" to release it from the locked position and carefully slide out the ballast with quartz tube attached.



4. The quartz sleeve can now be accessed for cleaning or replacement.

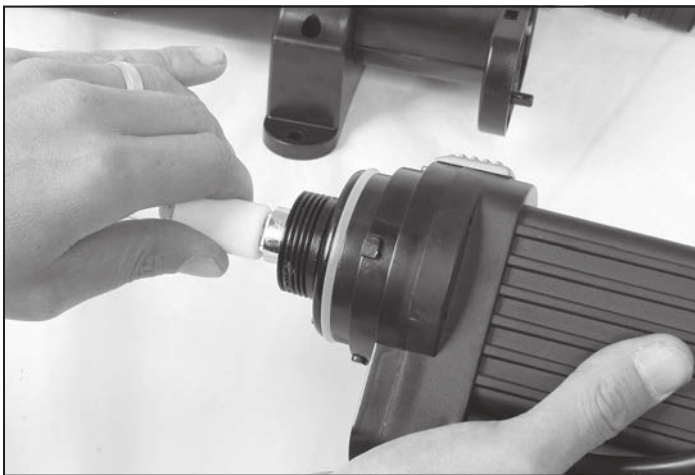


5. If replacing or removing the quartz tube remove the threaded plastic collar at the base of the quartz sleeve and remove the quartz tube.



### CHANGING THE UV BULB

1. Grip the base of the UV bulb and pull it free from the 4-pronged socket



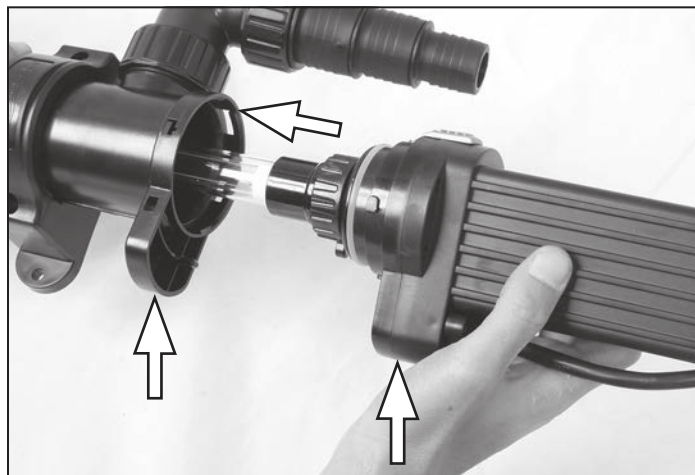
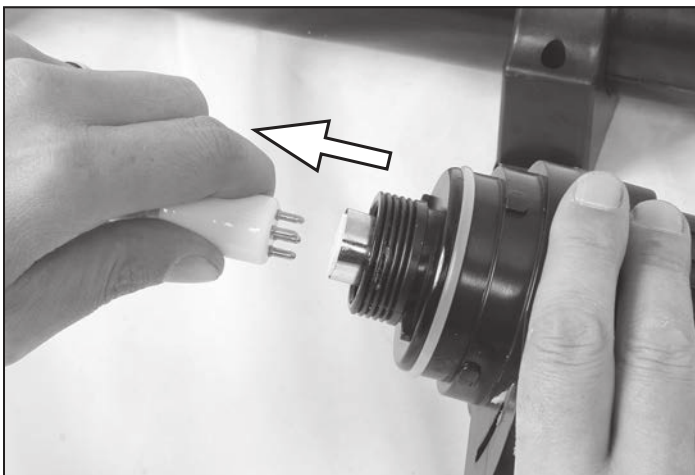
2. Replace UV bulb & quartz sleeve in the reverse order they were removed.



Do not touch UV bulb with bare hands as the oil from skin will reduce the bulbs performance and lifespan.

Use a clean tissue to wipe off any dirt or smudges on the bulb and on the quartz tube. Also, make sure there is no moisture inside the quartz tube or on the bulb prior to reassembly.

3. To reinstall the ballast slide the quartz tube into the UltraKlear® housing. Make sure to line up ballast flange with the matching flange shape on the UltraKlear® housing.





4. Push ballast into the outer fixture tube and rotate clockwise to lock it into position. Push the latch tab back into place to lock the ballast in position.



### REPLACING OR CLEANING THE INTERNAL SWIRL SLEEVE

The Swirl Sleeve inside the UltraKlear® housing increases the efficiency of UltraKlear® by increasing the water's contact time with the UV lamp. The swirl sleeve can be removed for cleaning or replaced if needed.

1. Remove the ballast as shown earlier and pull the UV light and quartz sleeve out of the UltraKlear® housing.
2. The swirl sleeve(s) can now be pulled free from the outer tube. You may need to tap the end of the outer tube into your palm to dislodge the tube.

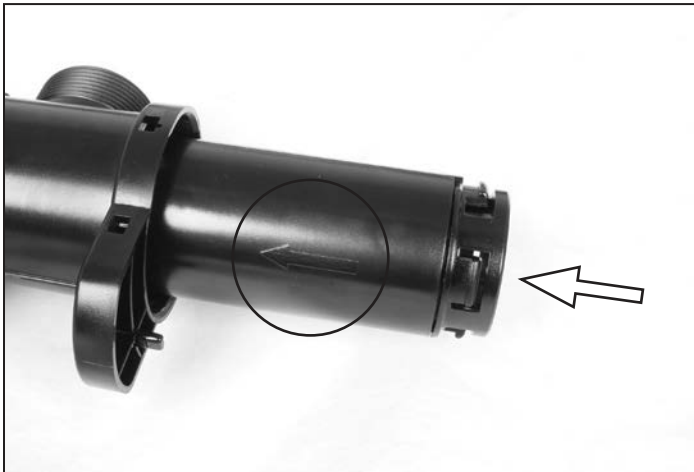


3. With the swirl sleeve fully removed it can either be cleaned or replaced.

4. If inserting more than one swirl sleeve into the UltraKlear® housing (28W and 55W fixtures), the individual swirl sleeves snap together. *NOTE: The swirl sleeves are not designed to be dismantled once they are connected together.*



5. When reinserting the swirl sleeve insert with the raised directional arrows pointing into the UltraKlear® housing.



### WINTER STORAGE

The UltraKlear® filter should be shutdown, drained and stored indoors or in a garage if your pond is subject to below freezing weather. When disconnecting the tubing from the filter, the threaded fittings should be removed without the need for any tools (be careful not to lose the flat rubber washers).

## TROUBLESHOOTING

### REDUCED WATER FLOW

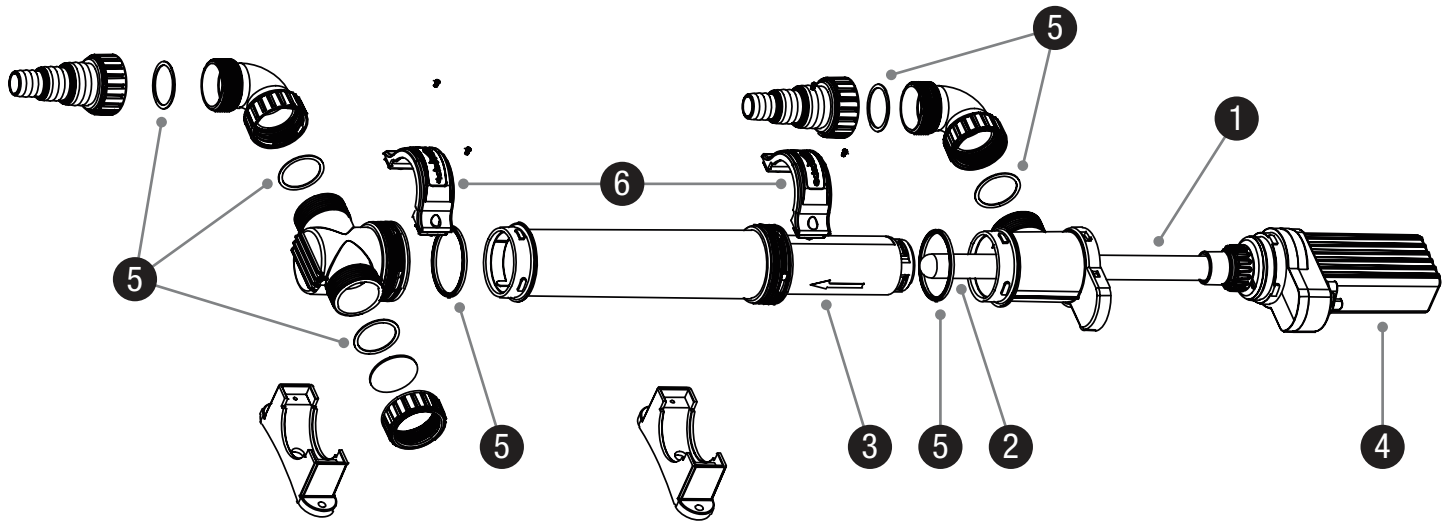
- The UltraKlear® will reduce the water flow on the pump. It is recommended to use as large of a diameter of tubing as possible (up to 1 ½ inch diameter) in order to achieve maximum water flows.
- The UltraKlear® internal swirl sleeve could be clogged and require cleaning.
- Pump or plumbing may be clogged. It may be necessary to clean the pump cage screens and impeller.

### UV LIGHT IS NOT ON

- A safety cut-off switch will activate if the ballast is not properly connected to the UV housing. Check that the ballast is properly connected to the UV housing.
- Power to the UltraKlear® has been lost. Check to be sure it's plugged in and the ground fault breaker at the outlet is not activated.
- UV internal bulb connection may be loose. Open up UV and inspect to make sure the bulb is securely plugged into the ballast outlet.
- UV bulb could be beyond its life expectancy. Replace UV light.



## CONTENTS & SPARE PARTS



ULTRAKLEAR® 1000 REPLACEMENT PARTS		ULTRAKLEAR® 2500 REPLACEMENT PARTS		ULTRAKLEAR® 5000 REPLACEMENT PARTS	
No.	Item number/description	No.	Item number/description	No.	Item number/description
1.	95039 High Output 14 Watt UV Bulb	1.	95040 High Output 28 watt UV Bulb	1.	95041 High Output 55 watt UV bulb
2.	95045 Quartz Sleeve (for 14W UV)	2.	95046 Quartz Sleeve (for 28W UV)	2.	95047 Quartz Sleeve (for 55 W UV)
3.	95042 Swirl Sleeve	3.	95043 Swirl Sleeve	3.	95044 Swirl Sleeve
4.	95048 Ballast Kit 14 Watt	4.	95049 Ballast Kit 28 Watt	4.	95050 Ballast Kit 55 Watt
5.	95051 Gasket Kit (8)	5.	95051 Gasket Kit (8)	5.	95051 Gasket Kit (8)
6.	95087 Mounting Clamps	6.	95087 Mounting Clamps	6.	95087 Mounting Clamps

### Included Fittings



2 x 1.50" locking rotational ball fittings



2 x 1", 1.25", 1.5" multi hose adapter (Aquascape)  
2 x 1.25", 1.5", 2" multi hose adapter (North American Standard)



1 x 1.5" fitting cap



2 x 90° sweep elbow

For more information about our company or products, please visit our website at [www.aquascapeinc.com](http://www.aquascapeinc.com) or call us at (US) 1-866-877-6637 (CAN) 1-866-766-3426

95085.112013

©2014 Aquascape, Inc. • All Worldwide Rights Reserved

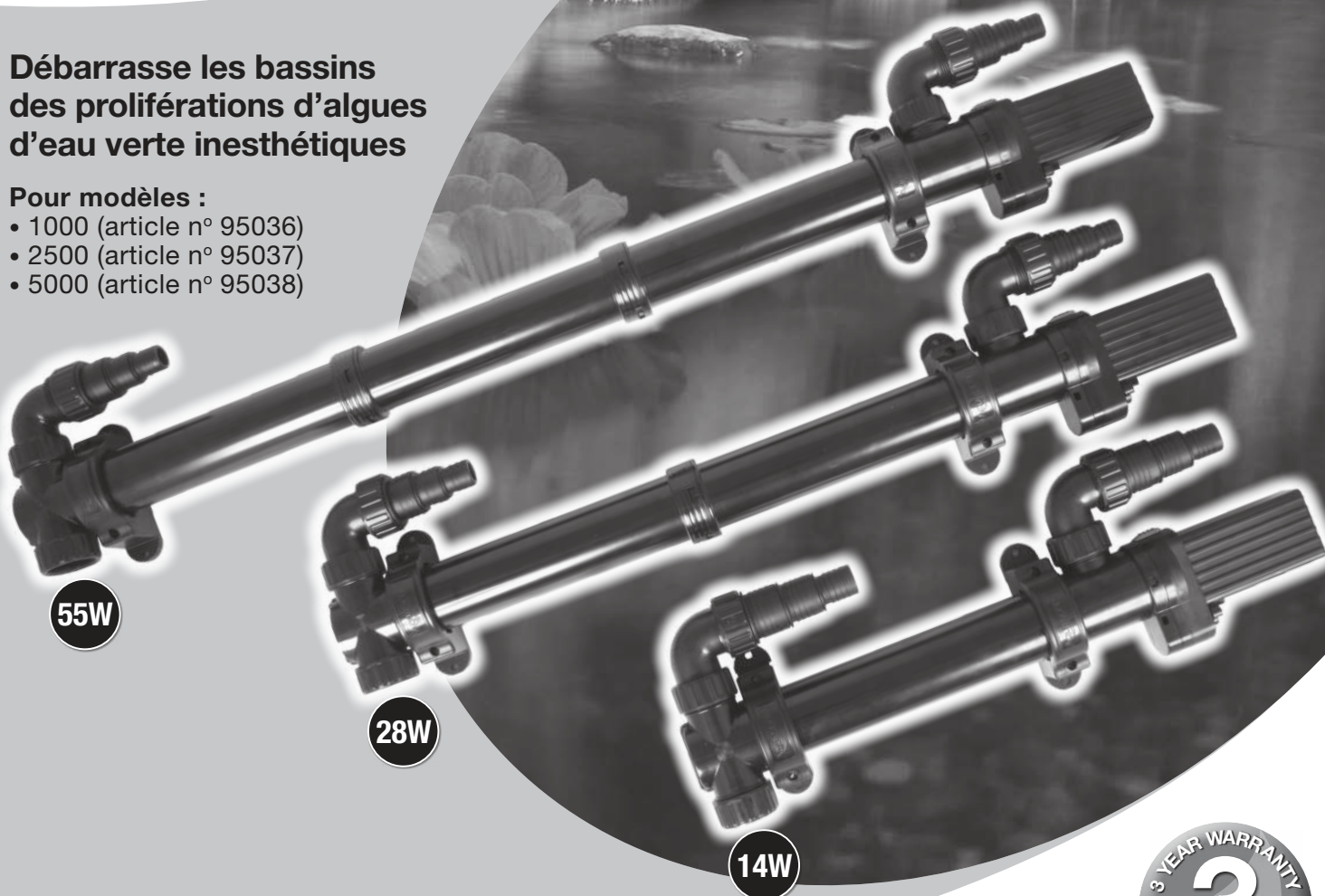
# Aquascape®

## ULTRAKLEAR® UV CLARIFIER

Débarrasse les bassins  
des proliférations d'algues  
d'eau verte inesthétiques

Pour modèles :

- 1000 (article n° 95036)
- 2500 (article n° 95037)
- 5000 (article n° 95038)



55W

28W

14W



[www.aquascapeinc.com](http://www.aquascapeinc.com)



# ULTRAKLEAR® UV CLARIFIER



**Nous vous remercions d'avoir choisi le clarificateur UV UltraKlear<sup>MD</sup>.** Chez Aquascape, notre but est de fournir à nos clients des produits de la plus haute qualité pour le jardinage aquatique. Nous espérons que vous aimerez votre achat et nous vous remercions d'avoir choisi Aquascape. *Votre paradis. Notre passion.<sup>MD</sup>*



## GARANTIE DE TROIS ANS

Le clarificateur UV UltraKlear<sup>MD</sup> est garanti cinq ans à compter de la date d'achat. Preuve d'achat exigée. La garantie ne couvre pas les dommages entraînés par une manipulation négligente, une mauvaise utilisation ou un manque d'entretien ou de précaution raisonnable. La garantie est valide contre les vices de fabrication et de matière uniquement. La seule obligation consistera à remplacer le produit défectueux par un produit de rechange adapté. Le bon fonctionnement des produits doit être vérifié avant de les retourner comme étant défectueux. Aquascape, Inc. ou ses sociétés affiliées ne sauraient être tenues responsables de la perte ou des dommages, de quelque nature qu'ils soient, résultant de l'utilisation du produit, qu'il soit ou non défectueux.

## ☎ NOUS JOINDRE

Pour plus de renseignements au sujet de notre société ou de nos produits, veuillez visiter notre site Web au [www.aquascapeinc.com](http://www.aquascapeinc.com) ou téléphonez sans frais au 1 866 766 3426, au Canada, ou au 1 866 877 6637, aux États-Unis.

## TABLE DES MATIÈRES

Introduction .....	15
Renseignements de sécurité .....	15
Mode d'emploi .....	16
Fonctionnement et entretien .....	19
Diagnostic des pannes.....	22
Contenu et pièces détachables .....	23



VISITEZ NOTRE  
SITE WEB



EFFECTUEZ UNE  
RECHERCHE  
DANS NOTRE  
CATALOGUE

## INTRODUCTION

Le clarificateur UV Aquascape UltraKlear<sup>MD</sup> fournit aux propriétaires de bassin un moyen pratique et très efficace de combattre les proliférations d'algues ou « l'eau verte », d'obtenir des conditions optimum pour leur eau et une eau de bassin transparente. L'UltraKlear<sup>MD</sup> est équipé d'une lampe UVC de haute technologie T5 à rendement élevé, lui permettant d'être plus efficace que les clarificateurs UVC

traditionnels. L'UltraKlear<sup>MD</sup> comporte une douille en spirale qui aide à diriger l'eau autour de la lampe UV, allongeant le temps de contact et augmentant l'efficacité UV de 50 % en comparaison aux clarificateurs traditionnels.

Ce mode d'emploi vous guidera à la fois dans l'installation de votre filtre et dans les procédures d'entretien recommandées afin d'en assurer une efficacité à long terme.

## RENSEIGNEMENTS DE SÉCURITÉ



**AVERTISSEMENT : Risque de chocs électriques – Ce filtre n'a pas été approuvé pour l'utilisation en piscine ou en zones marines.**



**AVERTISSEMENT : our s'assurer une protection continue contre les risques de chocs électriques, raccorder uniquement aux prises adéquates, au disjoncteur de fuite de terre (GFCI), en suivant les instructions suivantes :**

- (A) Ce filtre est insensible aux intempéries, mais n'est pas conçu pour être immergé dans l'eau.
- (B) Faites installer par un technicien qualifié une prise à la terre adéquate qui convient pour l'utilisation extérieure et protégée de la neige et de la pluie. Si possible, situer la prise ou le filtre de façon à ce que le câble du filtre de 6 m (20 pi) atteigne la prise sans l'aide d'une rallonge.
- (C) Avant utilisation, vérifier que le câble n'est pas endommagé.
- (D) Si une rallonge est nécessaire, assurez-vous qu'elle convienne à un usage extérieur.
- (E) Afin de s'assurer de la conformité au code et de la sécurité des utilisateurs, tout câblage de pompes devrait être réalisé par un électricien qualifié.
- (F) Pour réduire les risques de chocs électriques, tout câblage et raccord de jonction devrait être réalisé conformément à la réglementation locale en vigueur. Les exigences peuvent varier en fonction de l'usage et de l'emplacement.

- (G) Le câble d'alimentation devrait être protégé en permanence afin d'éviter les perforations, les entailles, les frottements et les abrasions.
- (H) Ne jamais tenir un cordon d'alimentation avec des mains mouillées.
- (I) Débrancher le filtre de la prise quand il n'est pas utilisé.
- (J) Ne pas enlever le cordon et le serre-câble. Ne pas raccorder la canalisation au filtre.
- (K) Ne pas utiliser le câble d'alimentation pour soulever le filtre.



**AVERTISSEMENT : Sécurité UV – Un petit indicateur lumineux sur le ballast situé à proximité du câble d'alimentation devient rouge lorsque l'équipement est complètement assemblé et que la lumière UV est allumée. Avertissement : Ne jamais outrepasser les interrupteurs internes de sécurité UV lorsque l'équipement est désassemblé, car cela pourrait activer la lumière UV. Une exposition directe à la lumière UV peut entraîner des dommages aux yeux et à la peau.**



### SPÉCIFICATIONS CLARIFICATEUR UV ULTRAKLEAR<sup>MD</sup>

Numéro de modèle	1000	25000	5000
Numéro d'article	N° 95036	N° 95037	N° 95038
Taille de bassin moyenne recommandée	4 000 litres	10 000 litres	20 000 litres
Débit maximal	1 892 l/h	3 785 l/h	5 678 l/h
Puissance	14 W	28 W	55 W
Longueur câble d'alimentation	6,1 m	6,1 m	6,1 m
Diamètre du tuyau d'évacuation	2,5 cm, 3,2 cm, 3,8 cm	2,5 cm, 3,2 cm, 3,8 cm	2,5 cm, 3,2 cm, 3,8 cm
Garantie	Limitée, 3 ans	Limitée, 3 ans	Limitée, 3 ans

### SPÉCIFICATIONS CLARIFICATEUR UV ULTRAKLEAR<sup>MD</sup>

- Tension d'entrée: 120 V CA
- Fréquence d'entrée: 60 Hz
- Pour utilisation extérieure ou intérieure.
- Ce appareil a été évalué pour une utilisation avec de l'eau seulement.

## INSTALLATION

- À utiliser uniquement lorsque totalement assemblé.
- La lampe UV et la douille en quartz sont fragiles. Avant installation, veuillez vérifier qu'il n'y a aucun signe de dommages.



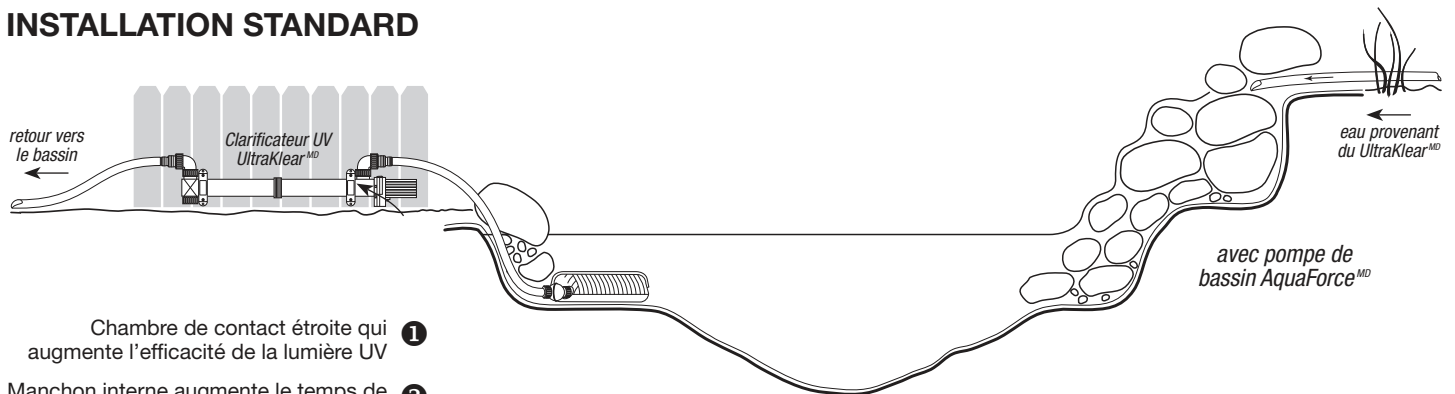
**NOTE :** Ne pas toucher la lampe UV à mains nues, la graisse de la peau pouvant réduire la performance de la lampe. Avant fonctionnement, vérifier qu'il n'y a pas d'humidité à l'intérieur de la douille en quartz ou sur la lampe.

- L'équipement est insensible aux intempéries, mais n'est pas conçu pour être plongé dans le bassin. Immerger l'équipement pourrait causer un choc électrique et rendra nulle la garantie du produit.
- Si vous vivez dans un climat sujet au gel, enlever l'équipement pendant l'hiver, le drainer et l'entreposer dans un lieu à l'écart du gel.

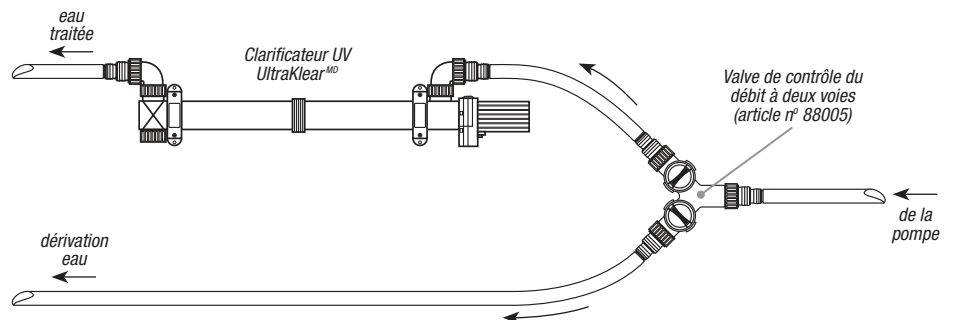
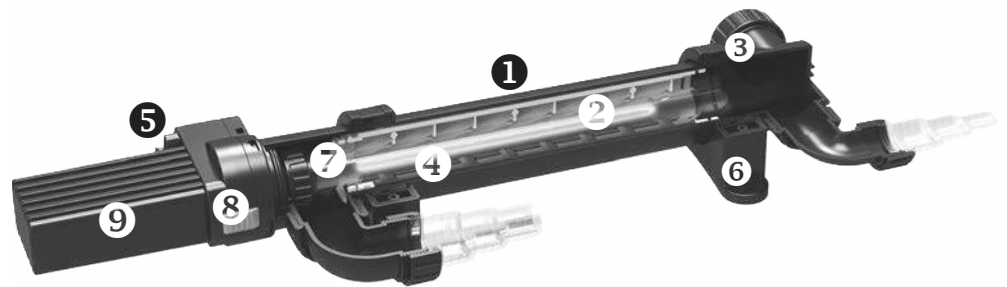


**IMPORTANT !** La compagnie Aquascape n'est pas responsable en cas de pertes, de blessures ou de mort résultant d'un manque de respect de ces mesures de sécurité, d'un mésusage ou d'une mauvaise utilisation d'un des filtres, des pompes ou de tout autre équipement.

## INSTALLATION STANDARD



- 1 Chambre de contact étroite qui augmente l'efficacité de la lumière UV
- 2 Manchon interne augmente le temps de contact, augmentant ainsi l'efficacité
- 3 Sortie d'écoulement d'eau latérale supplémentaire permettant une installation facile
- 4 Ampoule à haut rendement (HO) T5 maximisant l'efficacité
- 5 Le voyant marche/arrêt permet une vérification rapide
- 6 Supports de montage simple permettant de fixer l'unité sur une surface verticale
- 7 Gaine de quartz de haute qualité qui optimise la production de l'ampoule
- 8 Interrupteur de sécurité mécanique qui s'éteint automatiquement lorsque l'ampoule ballast/ampoule est retirée
- 9 Ballast électronique qui assure une puissance de sortie et un rendement optimaux



Tuyauterie de dérivation optionnelle UltraKlear<sup>MD</sup>



POUR  
DAVANTAGE DE  
RENSEIGNEMENTS



- Une valve de contrôle du débit à deux voies (no 88005) peut être utilisée afin d'assurer que le débit ne dépasse pas le débit maximal du UltraKlear<sup>MD</sup>. Veuillez vous référer à la Grille des spécifications fournie avec ce manuel pour les débits maximaux recommandés.



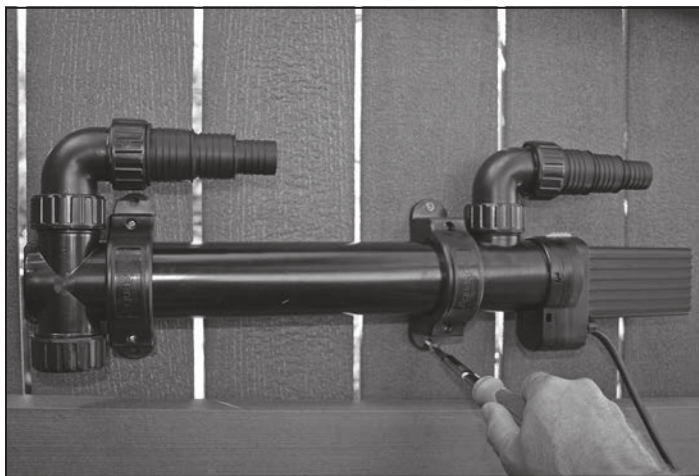
Valve de contrôle du débit à deux voies

- La Pompe AquaForce<sup>MD</sup> pour le traitement des déchets solides est idéale pour une utilisation combinée avec UltraKlear<sup>MD</sup> - La cage du préfiltre AquaForce<sup>MD</sup> permet à la pompe d'être immergée directement dans le bassin et améliore l'efficacité UV en empêchant les plus gros déchets d'atteindre UltraKlear<sup>MD</sup>. D'autres marques et modèles de pompes intégrées au bassin peuvent aussi être utilisées.

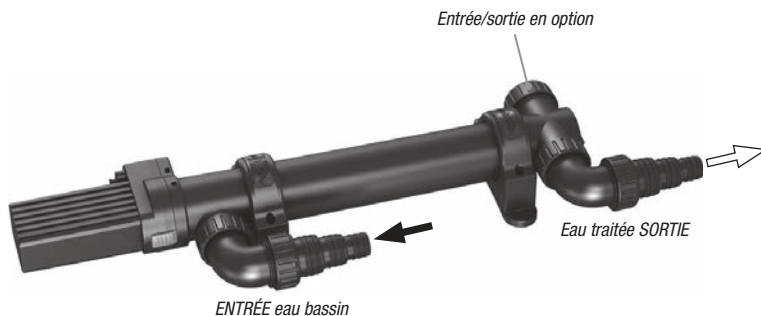


Pompe de bassin AquaForce<sup>MD</sup>

- L'UltraKlear<sup>MD</sup> est conçu pour être placé en dehors du bassin. Nous vous recommandons de le placer à un endroit qui est facile à cacher et facile d'accès pour l'entretien. L'UltraKlear<sup>MD</sup> peut être attaché à un bord et fixé au niveau du sol ou monté à l'aide des trous de vis sur les sellettes de soutien, comme indiqué ici.



- l'UltraKlear<sup>MD</sup> comprend trois orifices de tuyauterie :
  - Entrée – Tuyau provenant de la pompe (Peut être raccordé à l'un ou l'autre des orifices de sortie comme « Entrée » pour l'eau du bassin)
  - Sortie – Tuyau de sortie vers le bassin (Est raccordé à l'orifice de sortie opposé pour le renvoi vers le bassin).
  - Entrée/sortie optionnelle pour permettre l'installation et l'itinéraire de la tuyauterie.



- Les raccords coudés à 90 ° et les raccords à balle tournante bloquante permettent un mouvement directionnel de 360 ° pour s'adapter à la configuration de tuyauterie souhaitée ou les adaptateurs multi-tuyaux peuvent être montés directement sur l'équipement UltraKlear<sup>MD</sup> comme indiqué ci-dessous.



UltraKlear<sup>MD</sup> avec raccords à balle tournante et adaptateurs multi-tuyaux

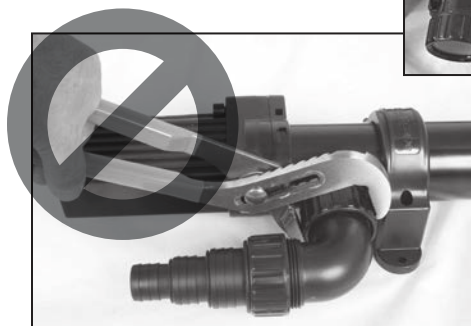


Adaptateurs multi-tuyaux raccordés directement au UltraKlear<sup>MD</sup>



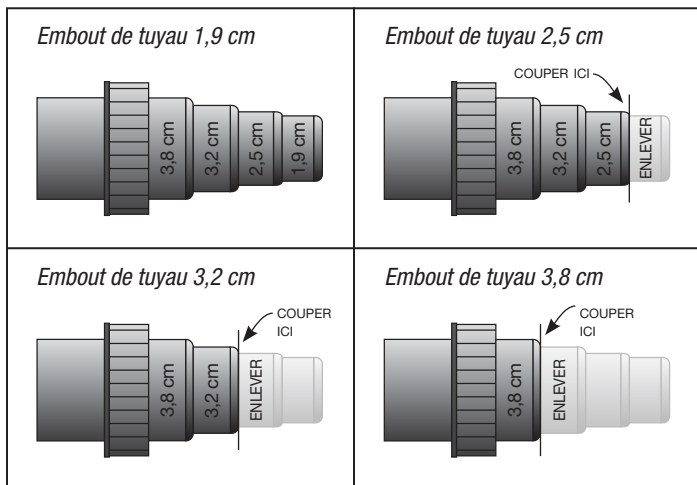
Raccords à balle tournante

- Les raccords devraient être serrés à la main uniquement et être installés avec des joints en caoutchouc plats pour obtenir des joints d'étanchéité antifuites.

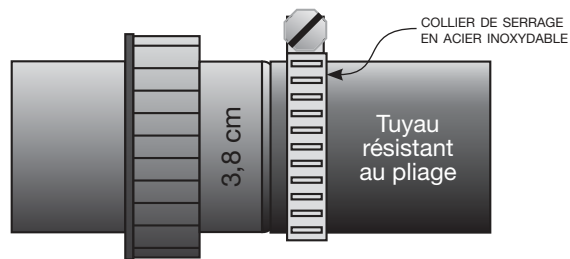


**NOTE : Ne pas utiliser d'outils pour attacher les raccords.**

- Choisir l'adaptateur multi-tuyaux en fonction du diamètre du tube que vous utilisez. Il est recommandé d'utiliser un diamètre de tube aussi large que possible (jusqu'à 3,8 cm de diamètre) afin d'obtenir un débit d'eau maximal.
- Si vous utilisez un diamètre de tuyau plus large que la plus petite section de l'adaptateur multi-tuyaux, éliminer les plus petites sections pour éviter toute réduction du débit d'eau.



- Nous recommandons l'utilisation d'un collier de serrage (non inclus)



*Installation d'un collier de serrage en acier inoxydable*



- Après raccordement de la tuyauterie, brancher la pompe et l'équipement UltraKlear<sup>MD</sup> à une prise qui est protégée par un disjoncteur de fuite de terre (GFI). Une fois que la pompe est en marche et que l'eau circule à travers l'équipement UltraKlear<sup>MD</sup>, vérifier qu'il n'y ait aucune fuite de raccord là

où les raccordements externes ont été faits. Étant donné que le filtre est placé en dehors du bassin, même une légère fuite doit être corrigée. Vérifier l'indicateur UV pour s'assurer que la lampe UV est allumée à l'intérieur de l'équipement UltraKlear<sup>MD</sup>.

## FONCTIONNEMENT ET ENTRETIEN

Le clarificateur UV UltraKlear<sup>MD</sup> élimine les algues monocellulaires communément appelées eau verte. Pour la plupart des bassins, le processus de clarification devrait prendre approximativement une semaine, cependant il peut prendre deux à trois semaines lorsque la prolifération d'algue est significative.

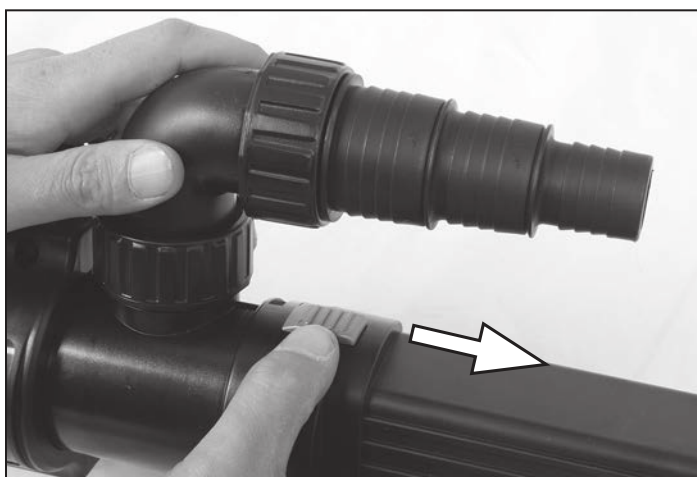
- **Temps de vie de la lampe** – pour une clarification efficace, la lampe UV devrait être remplacée après douze mois

d'usage continu. *NOTE : Même si la lampe UV continue à émettre de la lumière, elle peut avoir perdu.*

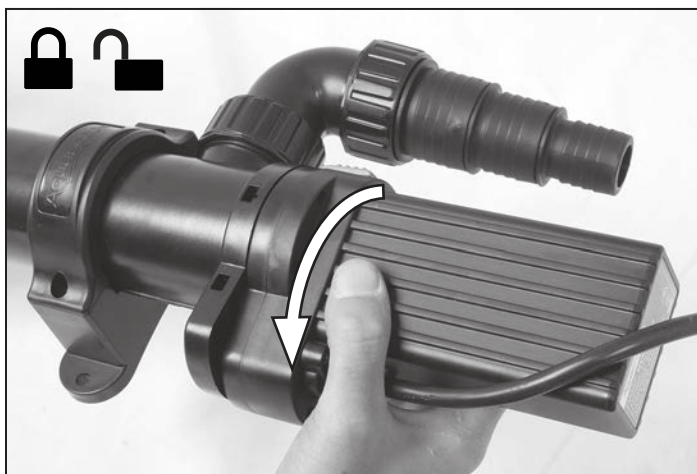
- **Nettoyer/remplacer le tube de quartz et la lampe UV** – un tube de quartz sale réduira l'efficacité de la lampe UV. Les débris et les dépôts de minéraux peuvent être nettoyés avec un acide doux comme le vinaigre blanc ou un décapant à calcium, à hydroxyde de calcium ou à rouille non abrasif avec une brosse ou une éponge à poils doux.

### L'ACCÈS AU TUBE QUARTZ

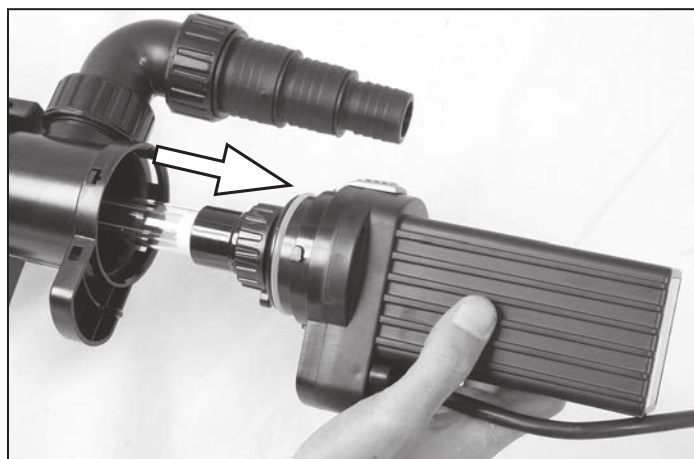
1. Toujours débrancher la pompe et le clarificateur UltraKlear<sup>MD</sup> UV avant l'entretien.
2. Relâcher la languette du verrou en la tirant/appuyant vers le ballast d'environ 0,63 cm.



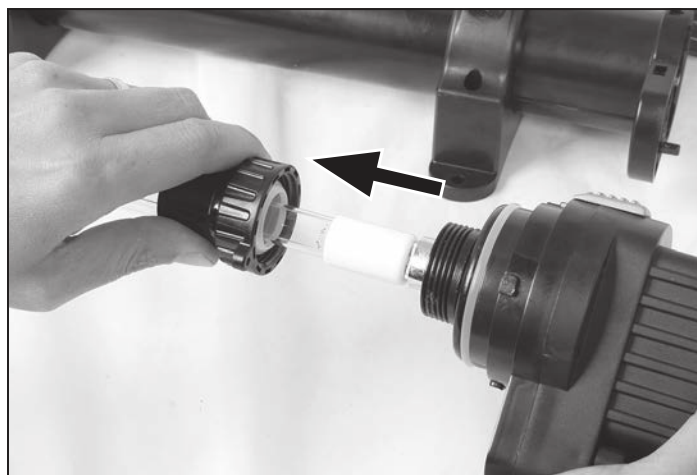
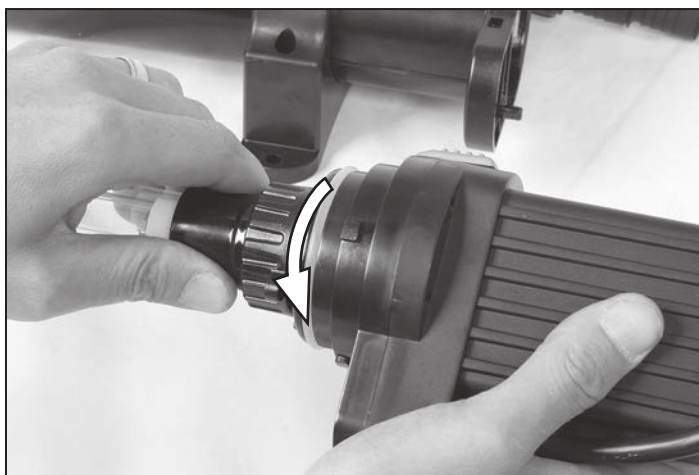
3. Pivoter le ballast dans le sens antihoraire d'environ 1,30 cm pour le déverrouiller et faire glisser doucement le ballast avec le tube de quartz attaché.



4. La douille en quartz peut maintenant être accessible pour nettoyage ou remplacement.



5. Si vous remplacez ou retirez le tube de quartz, retirez le col en plastique fileté à la base de la douille en quartz et retirez le tube de quartz.



### CHANGER LA LAMPE UV

1. Saisir la base de la lampe UV et la libérer de sa prise à 4 broches.



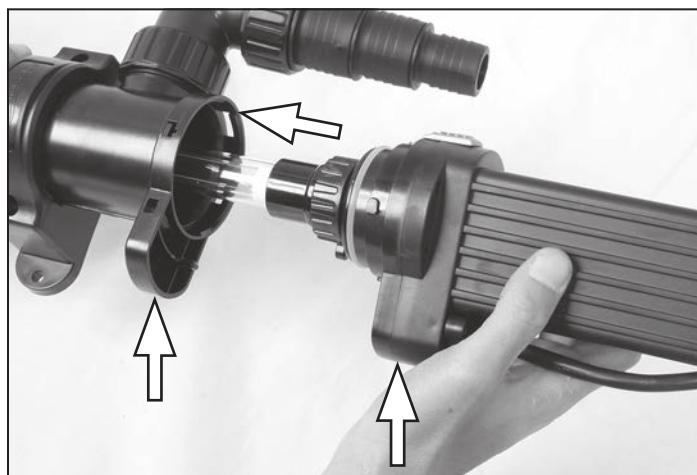
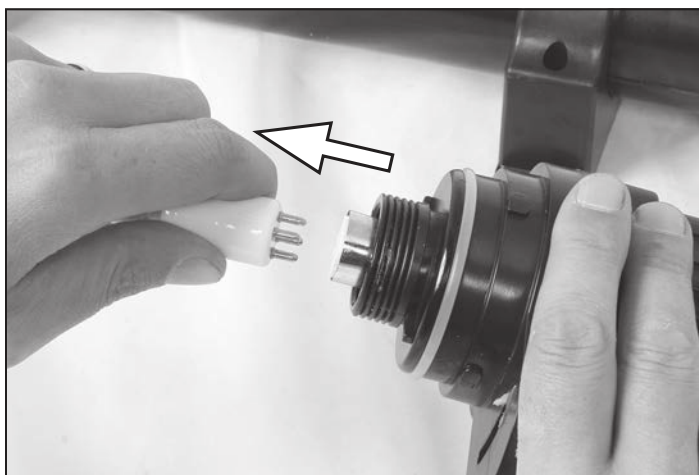
2. Remplacer la lampe UV et la douille en quartz dans l'ordre inverse de celui par lequel ils ont été enlevés.



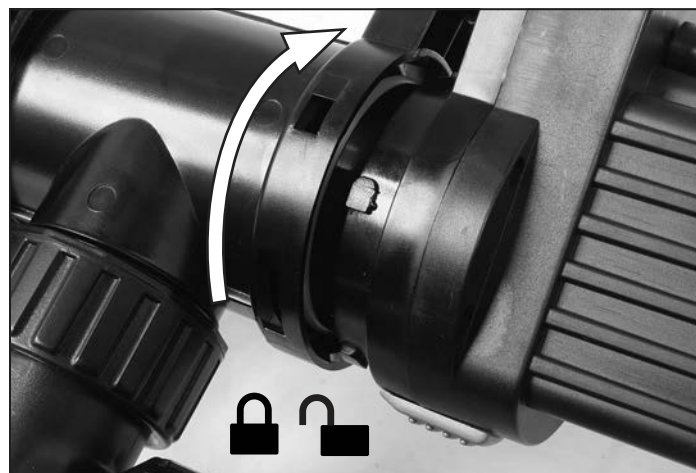
Ne pas toucher la lampe UV à mains nues sachant que la graisse de la peau réduit le temps de vie et la performance des lampes.

Utiliser un tissu propre pour nettoyer toute saleté ou toute tache présente sur la lampe ou le tube de quartz. Également, vérifier qu'il n'y a pas d'humidité à l'intérieur du tube de quartz ou de la lampe avant le réassemblage.

3. Pour réinstaller le ballast, glisser le tube de quartz dans le boîtier de l'UltraKlear<sup>MD</sup>. Assurez-vous de bien aligner la bride du ballast avec la bride correspondante sur le boîtier de l'UltraKlear<sup>MD</sup>.



- Appuyer sur le ballast dans le tube extérieur de l'équipement et faire pivoter dans le sens horaire pour le verrouiller dans sa position. Remettre la languette du verrou à sa place pour verrouiller le ballast dans sa position.



### REEMPLACER OU NETTOYER LA DOUILLE EN SPIRALE INTERNE

La douille en spirale à l'intérieur du boîtier de l'UltraKlear<sup>MD</sup> accroît l'efficacité de l'UltraKlear<sup>MD</sup> en augmentant le temps de contact de l'eau avec la lampe UV. La douille en spirale peut être enlevée pour nettoyage ou remplacée au besoin.

- Enlever le ballast comme indiqué précédemment et tirer la lampe UV et la douille en quartz hors du boîtier de l'UltraKlear<sup>MD</sup>.
- La(les) douille(s) en quartz peut maintenant être retirée du tube extérieur. Vous aurez peut-être besoin de tapoter le bout du tube extérieur dans votre paume pour déloger le tube.

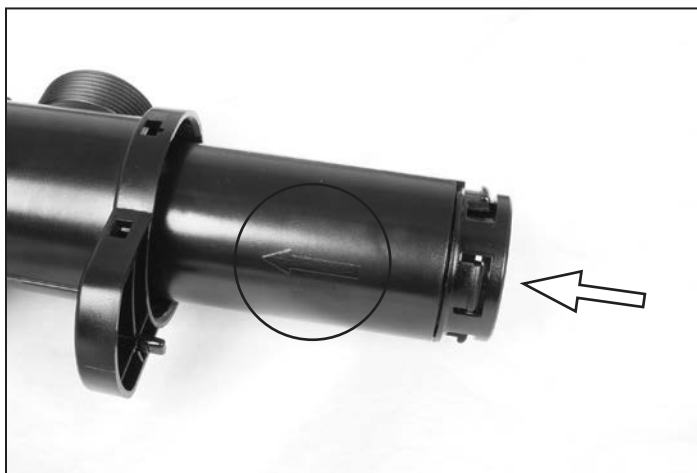


- La douille en spirale étant complètement retirée, elle peut être soit nettoyée soit remplacée.

- Si vous insérez plus d'une douille en spirale dans le boîtier de l'UltraKlear<sup>MD</sup> (équipements 28 W et 55 W) les douilles en spirale individuelles s'encliquètent. *NOTE : Les douilles en spirale ne sont pas conçues pour être démantelées une fois qu'elles ont été raccordées.*



5. Lorsque vous réinsérer la douille en spirale, insérez-la avec la flèche élevée pointant vers le boîtier de l'UltraKlear<sup>MD</sup>



### ENTREPOSAGE HIVERNAL

Le filtre UltraKlear<sup>MD</sup> doit être arrêté, drainé et stocké à l'intérieur ou dans un garage si votre bassin est soumis à des températures qui sont en dessous du point de congélation. Pour débrancher le tuyau du filtre, les raccords filetés doivent être retirés sans utilisation d'outils. Veillez à ne pas perdre les rondelles de caoutchouc plat.

## DÉPANNAGE

### RÉDUCTION DU DÉBIT D'EAU

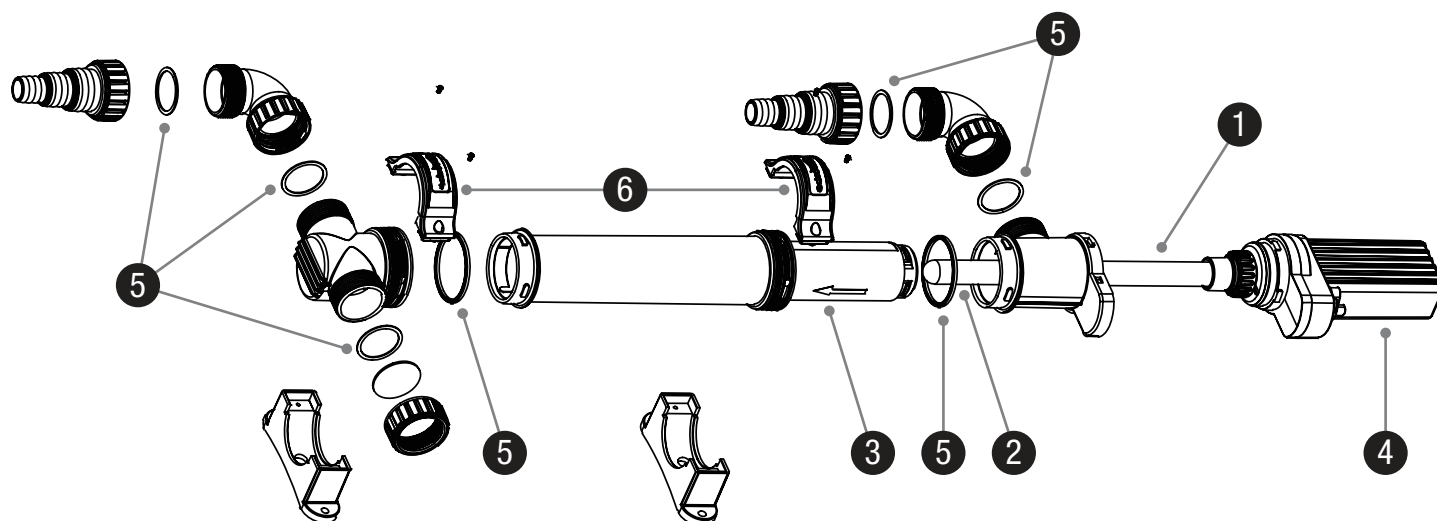
- Le UltraKlear<sup>MD</sup> réduira le débit d'eau de la pompe. Il est recommandé d'utiliser un diamètre aussi que possible pour le tuyau (jusqu'à un diamètre de 3,8 cm) afin d'obtenir un écoulement maximal de l'eau.
- La douille en spirale interne de l'UltraKlear<sup>MD</sup> pourrait être bouchée et nécessiter un nettoyage.
- La pompe ou la plomberie peuvent être obstruées. Il peut être nécessaire de nettoyer la cage de la pompe et la tête de pompe.

### LA LUMIÈRE UV NE S'ALLUME PAS

- Un commutateur de coupure de sécurité sera activé si le ballast n'est pas correctement connecté au boîtier de l'UV. Vérifiez que le ballast est correctement connecté au boîtier UV.
- L'alimentation du UltraKlear<sup>MD</sup> a été coupée. Assurez-vous qu'il est branché et que le disjoncteur de fuite à la terre situé à l'orifice de sortie n'est pas activé.
- La connexion de l'ampoule UV interne peut être lâche. Ouvrez l'ampoule interne UV et inspectez-la pour vérifier que l'ampoule est bien branchée dans la sortie du ballast.
- L'ampoule UV pourrait être au-delà de son espérance de vie. Remplacez la lampe UV.



## CONTENU ET PIÈCES DÉTACHABLES



PIÈCES DE RECHANGE ULTRAKLEAR® 1000		PIÈCES DE RECHANGE ULTRAKLEAR® 2500		PIÈCES DE RECHANGE ULTRAKLEAR® 5000	
N°	Numéro d'article/description	N°	Numéro d'article/description	N°	Numéro d'article/description
1.	95039 Lampe UV 14 W à rendement élevé	1.	95040 Lampe UV 28 W à rendement élevé	1.	95041 Lampe UV 55 W à rendement élevé
2.	95045 Douille en quartz (pour UV 14 W)	2.	95046 Douille en quartz (pour UV 28 W)	2.	95047 Douille en quartz (pour UV 55 W)
3.	95042 Douille en spirale	3.	95043 Douille en spirale	3.	95044 Douille en spirale
4.	95048 Ensemble ballast 14 W	4.	95049 Ensemble ballast 28 W	4.	95050 Ensemble ballast 55 W
5.	95051 Trousse de joint étanchéité (8)	5.	95051 Trousse de joint étanchéité (8)	5.	95051 Trousse de joint étanchéité (8)
6.	95087 Trousse de montage	6.	95087 Trousse de montage	6.	95087 Trousse de montage

### Raccords inclus



2 x raccords à balle tournante bloquante 3,8 cm



2 x adaptateurs multi-tuyaux 2,5 cm, 3,2 cm et 3,8 cm (Aquascape)



1 x bouchon raccord 3,8 cm



2 x coude à 90 °

2 x adaptateurs multi-tuyaux 3,2 cm, 3,8 cm et 5,0 cm (Standard Amérique du Nord)

Pour plus de renseignements au sujet de notre société ou de nos produits, veuillez visiter notre site Web au [www.aquascapeinc.com](http://www.aquascapeinc.com) ou téléphonez sans frais au 1 866 766 3426, au Canada, ou au 1 866 877 6637, aux États-Unis.

95085.122013

©2014 Aquascape, Inc. • Tous droits réservés mondialement